

SOLAR PANEL



SP25W-18V MONO & POLYCRYSTALLINE

Key features:



PID Free Module:
Anti-PID cell and encapsulation technology
Frameless module requires no module grounding which may PID



Higher Lifetime Power Yield:
<0.5% annual power degradation
30 year linear power warranty



Saving BOS Cost:
Designed for high voltage systems of up to 1500 VDC, saving BOS cost



Improved Durability and Reliability:
Dual glass reduces micro-cracking, snail trails, corrosions caused by moisture, sand, salt mist, acid, alkali, etc.



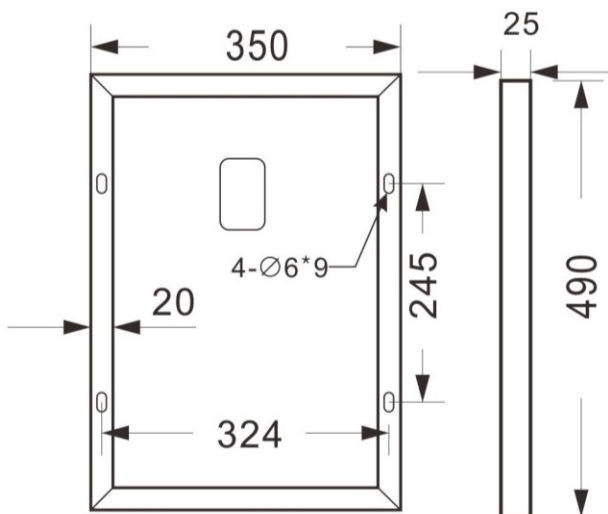
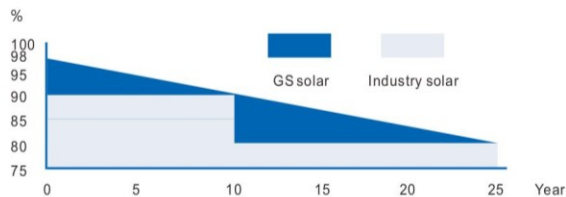
Less Maintenance Requirement:
Reduced soiling and snow coverage requires less maintenance and enhances fire safety



Aesthetically Pleasing Design:
white back sheet maximizes module efficiency up to 16.84%(60-poly max. output 275W); Transparent back sheet increases light transmission, ideal for installations requiring light to pass through



Strengthened Mechanical Support:
5400 Pa snow load, 2400 Pa wind load



Module Models

Electrical Specifications	
Model	SP25W-18V
Peak power(Pmax)	25W
Cell Efficiency	20%
Max. power volt.(Vmp)	17.8V
Max. power current(Imp)	1.41A
Open circuit volt.(Voc)	21.8V
Short circuit current(Isc)	1.52A
Power Tolerance	±3%
Max. system voltage	1000V
Series fuse rating(A)	15
Number of bypass diode	0
Operating temperature	-40°C to +85°C
Maximum system voltage	1000V DC

STC: Irradiance 1000W/m², Module temperature 25°C, AM=1.5

Mechanical Characteristics	
Dimensions	490*350*25mm
Weight	2.0kg
Solar Cells	36 cell in series
Cable	NO
lengths	NO
Connector	NO
Glass type	High transmits, Low Iron, 3.2mm Tempered Glass
Frame	Aluminium-alloy