

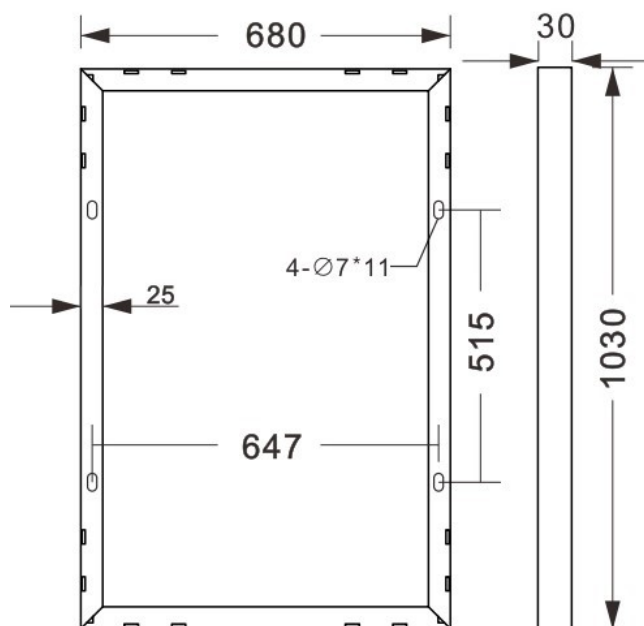
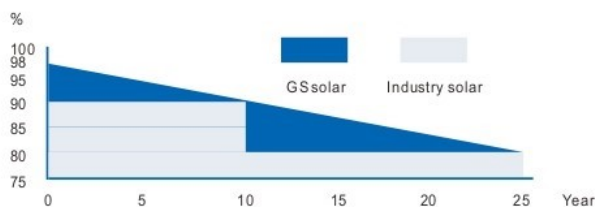
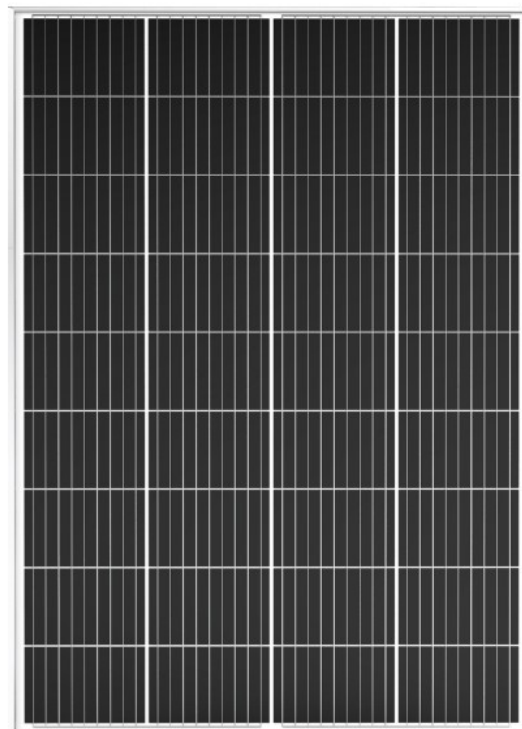
SOLAR PANEL



SP120W-18V MONO & POLYCRYSTALLINE

Key features:

- 
PID Free Module:
 Anti-PID cell and encapsulation technology
 Frameless module requires no module grounding which may PID
- 
Higher Lifetime Power Yield:
 <0.5% annual power degradation
 30 year linear power warranty
- 
Saving BOS Cost:
 Designed for high voltage systems of up to 1500 VDC, saving BOS cost
- 
Improved Durability and Reliability:
 Dual glass reduces micro-cracking, snail trails, corrossions caused by moisture, sand, salt mist, acid, alkali, etc.
- 
Less Maintenance Requirement:
 Reduced soiling and snow coverage requires less maintenance and enhances fire safety
- 
Aesthetically Pleasing Design:
 white back sheet maximizes module efficiency up to 16.84%(60-poly max. output 275W); Transparent back sheet increases light transmission, ideal for installations requiring light to pass through
- 
Strengthened Mechanical Suppot:
 5400 Pa snow load, 2400 Pa wind load



Module Models

Electrical Specifications

Model	SP120W-18V
Peak power(Pmax)	120W
Cell Efficiency	20%
Max. power volt.(Vmp)	17.8V
Max. power current(Imp)	6.86A
Open circuit volt.(Voc)	21.8V
Short circuit current(Isc)	7.43A
Power Tolerance	±3%
Max. system voltage	1000V
Series fuse rating(A)	15
Number of bypass diode	1
Operating temperature	-40°C to + 85°C
Maximum system voltage	1000V DC

STC: Irradiance 1000W/m², Module temperature 25°C, AM=1.5

Mechanical Characteristics

Dimensions	1030*680*30mm
Weight	7.9kg
Solar Cells	36 cell in series
Cable	Copper (2.0mm ²)
lengths	700mm (-) and 700mm(+)
Connector	Mc4 Plug Typs
Glass type	High transmits, Low Iron, 3.2mm Tempered Glass
Frame	Aluminium-alloy