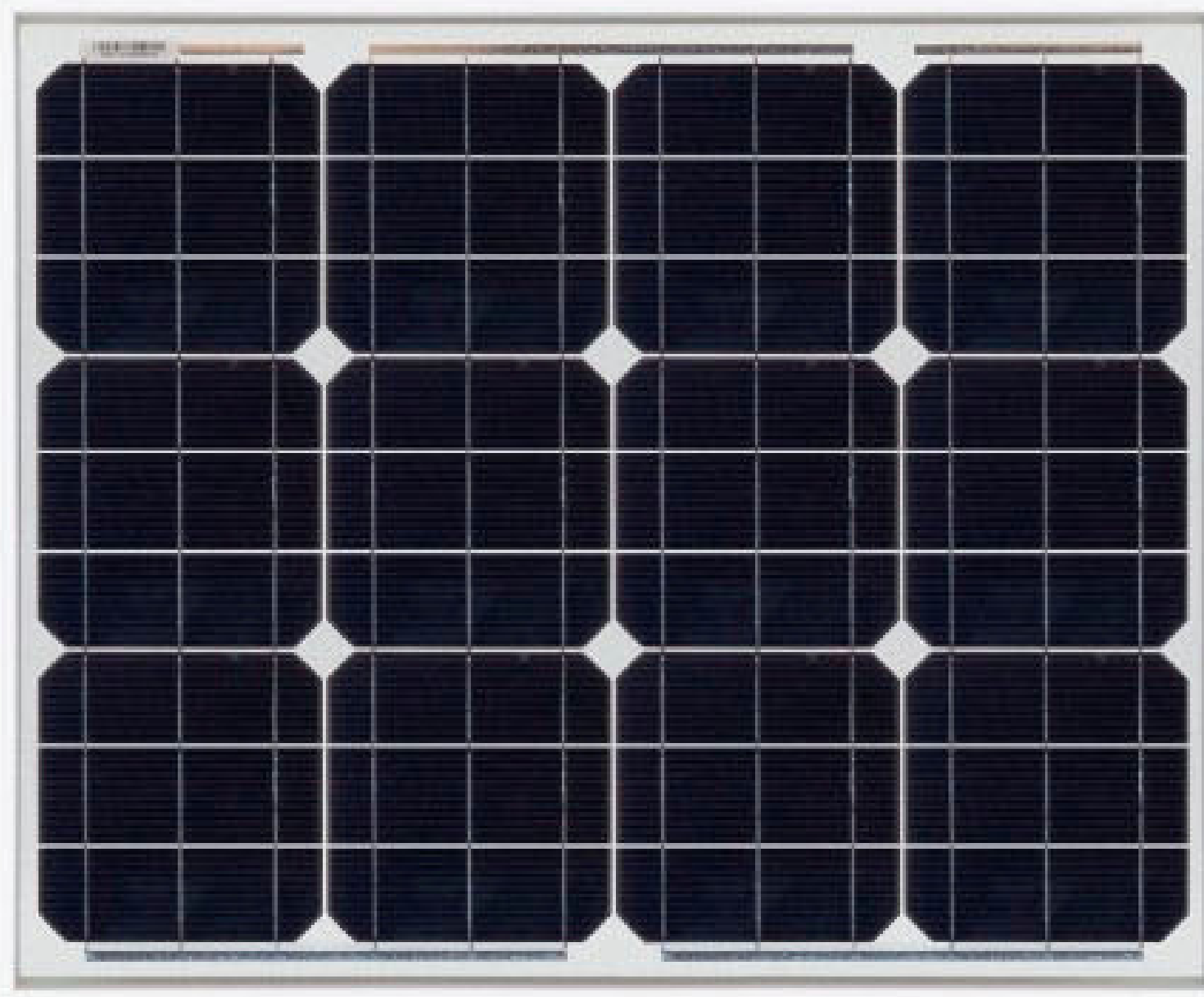


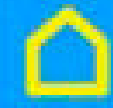
TRISOL[®]

www.tgc.uy

Trisol SW50M



0/+5 WP POSITIVE TOLERANCE

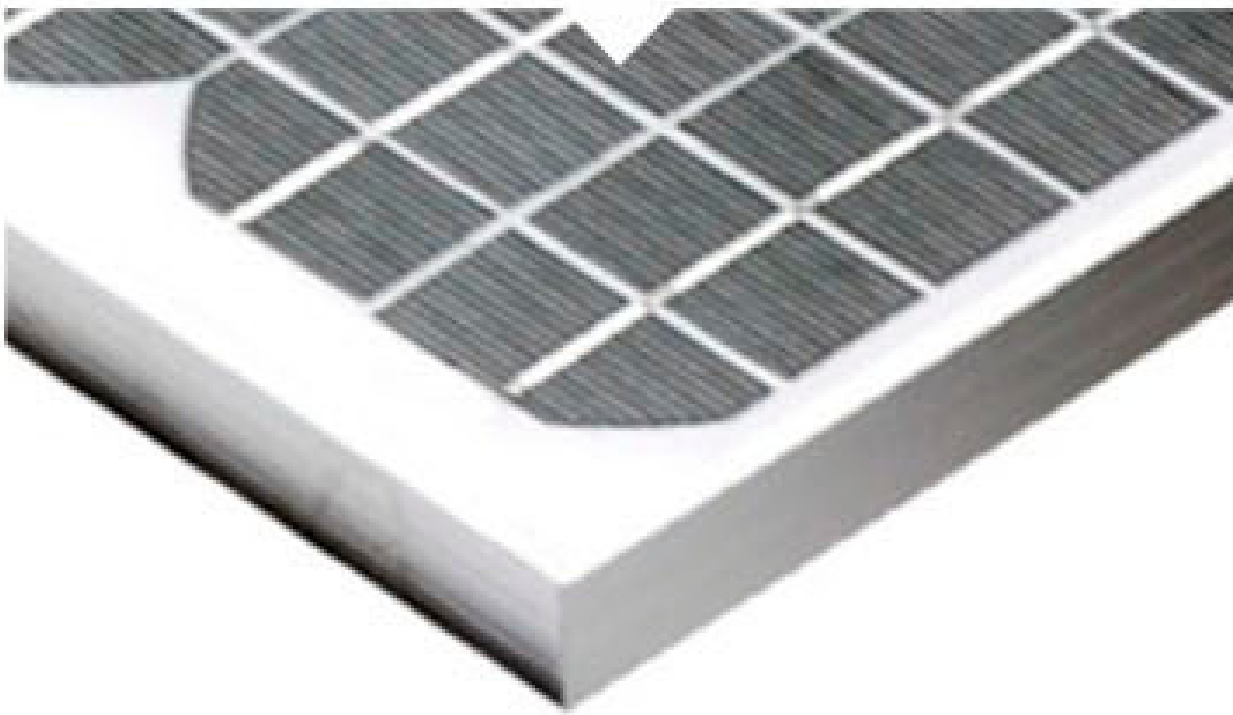


ROOFTOP AND OFF-GRID DESIGN



HIGH QUALITY

25 year linear performance warranty
10 year product warranty

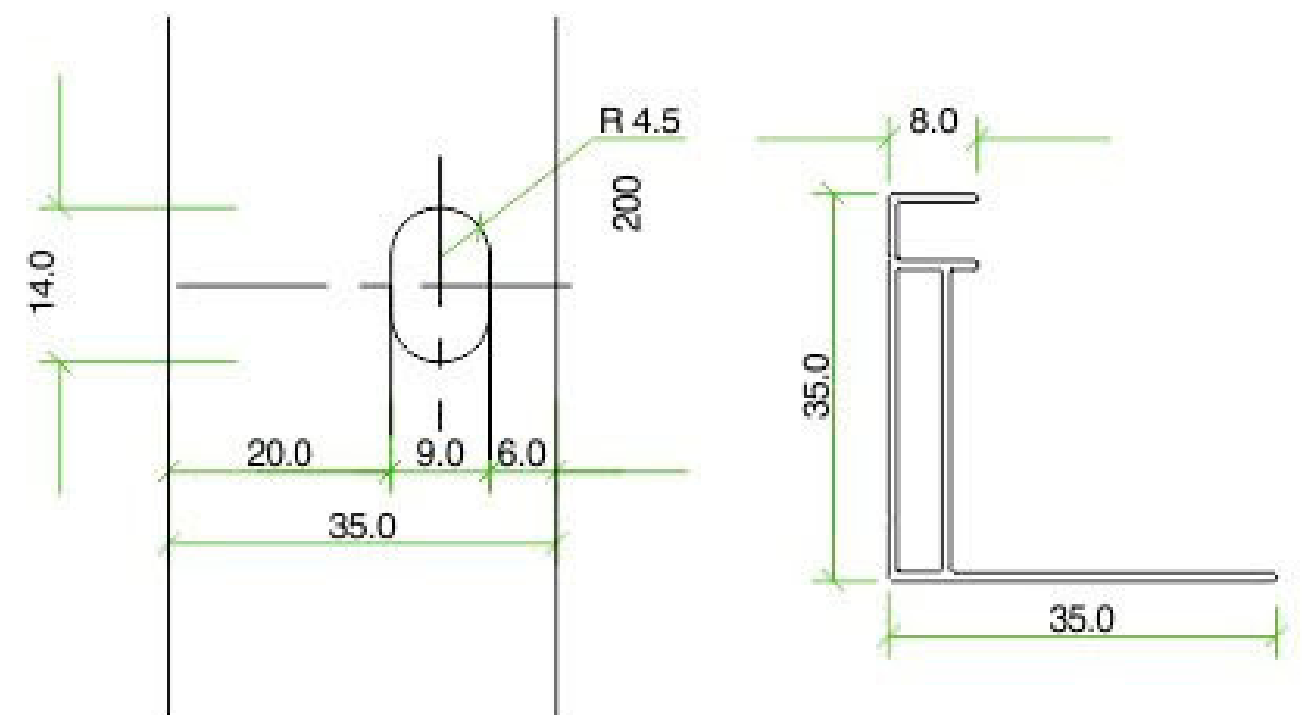
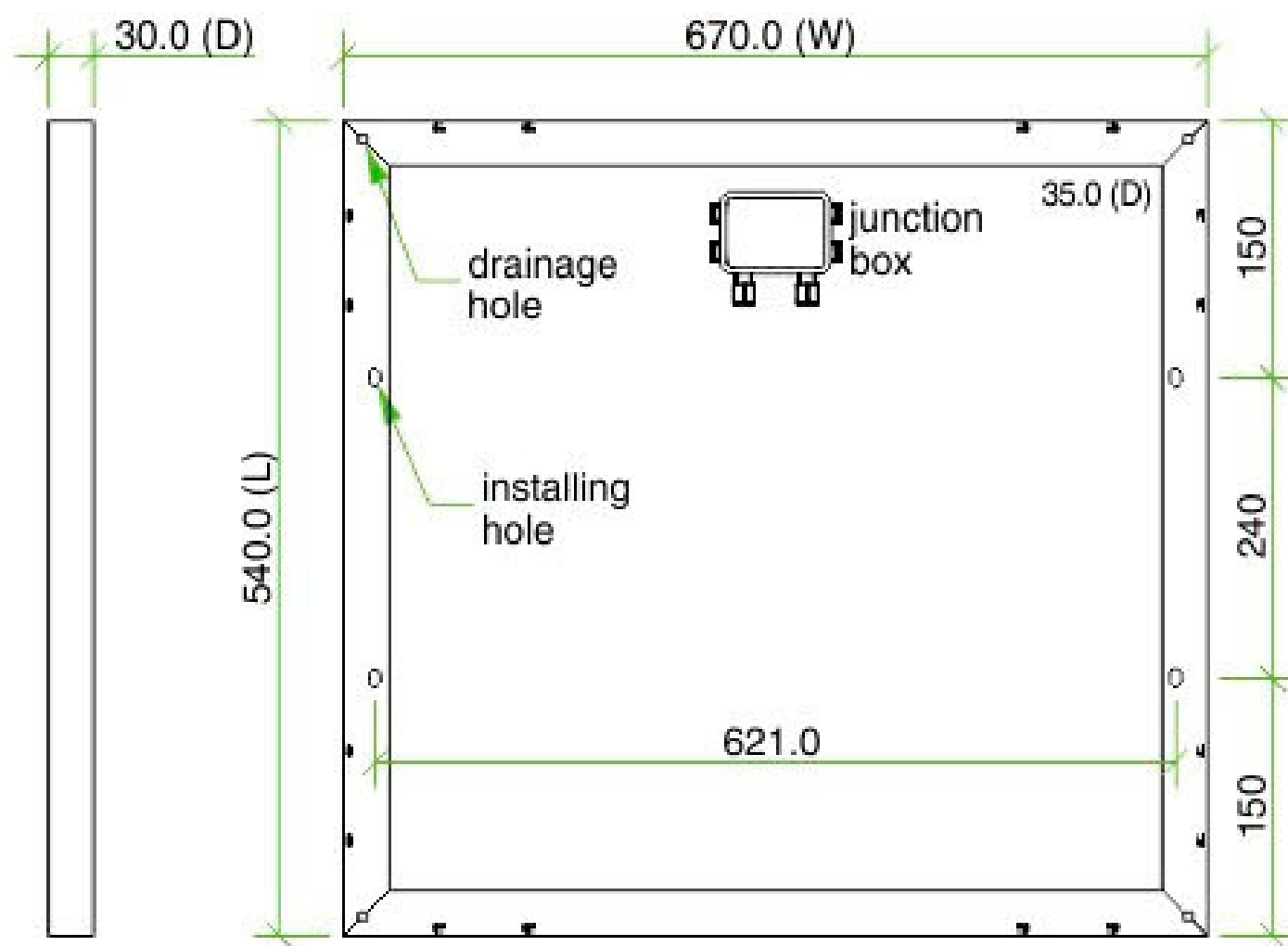


Trisol, Trisol logo and The Green Comapny are registered trademarks of The Green Company srl
Montevideo - Uruguay.

TRISOL®

General characteristics

Cell	monocrystalline solar cell 156 x 52 mm
No. of Cells (Connections)	36 (4x9)
Panel Dimensions	540 x 670 x 30 mm
Weight	4.4 kg
Connectors and Cables	Available upon request



Thermal conditions

Normal Operating Cell Temperature 800W/m ² Irradiance, 20°C, AM = 1.5	48°C ± 2°C
Power Temperature Coefficient	- 0.5%/K
Current Temperature Coefficient	0.035%/K
Voltage Temperature Coefficient	- 0.37 MV/K

Limits

Operating Temperature	- 40°C to 85°C
Maximum System Voltage	1000V DC

Electric performance at STC *

Maximum Power	50 Wp
Power Tolerance	0/+5 Wp
Maximum Power Voltage	18 V
Maximum Power Current	2.78 A
Open Circuit Voltage	22.1 V
Short Circuit Current	3.68 A

Standard Test Conditions : 1000W/m irradiance, 25C and AM = 1.5

High performance

25 25 Years
linear performance

10 10 Years
product warranty

